



ACTIVATED CARBON FILTERS USAGE AND MAINTENANCE

What are the benefits of using activated carbon filters for your smart fan?

Activated carbon filters serve the purpose of purifying and cleansing the air from any odors produced during your workouts. They effectively sanitize the environment, allowing the fan to draw in and filter the air before releasing it back into the room, refreshed and free from unpleasant smells. Activated carbon filtration is a technique used for air purification, where a gas stream is passed through a filter that contains activated carbon. This filtration process takes advantage of the porous structure of activated carbon, allowing it to effectively **absorb various volatile organic compounds** found in the air, thus removing air pollutants. ll'aria.

How long do the filters last?

The filters have a lifespan of **500 hours** of usage.

How is the filter depletion indicated?

After 500 hours, the **red light** near the Aria label will begin flashing. Despite the flashing light, Aria's functions will continue to operate, but the performance of the activated carbon will be diminished as it nears full utilization.

Should both filters be replaced simultaneously?

Yes, it is recommended to replace both filters at the same time.

Can the filters be cleaned regularly?

While it is advisable to regularly eliminate dust debris and remove other impurities that may have accumulated during use, it is important to note that cleaning the filters does not regenerate or enhance their filtering capacity.

How should the filters be disposed of?

As the filters are non-recyclable, it is essential to adhere to the disposal guidelines specific to your residential area. Some municipalities and cities provide separate disposal methods for non-recyclable items.

Activated carbon filter replacement

The **Aria** fan incorporates two **activated carbon filters** that effectively minimize odors during your workouts. Over time, the filters' efficacy may diminish.

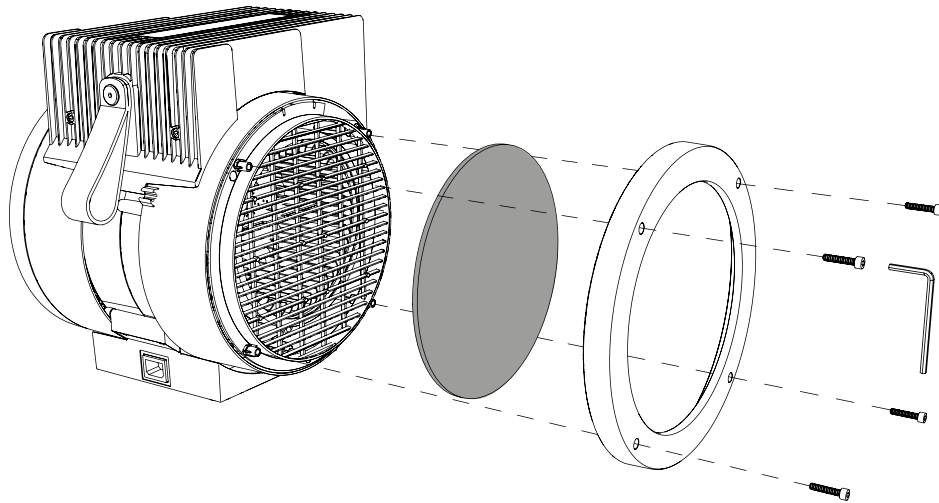
Aria features a **filter replacement warning**, which is indicated by a **flashing of the red led**.

To acquire replacement filters and maintain optimal performance for your **Aria** fan, you can conveniently purchase them from our website at www.shopelite-it.com.

After replacing the filters, you can reset the notification by simultaneously **pressing the \wedge + \vee keys simultaneously for 5 seconds** with the **fan turned on**.

Alternatively, you can utilize the My E-Training app to perform the reset procedure.

To replace the filters, please follow these steps:



1. Using the hex key provided, unscrew the four screws securing the filter locking ring located at the bottom of the Aria fan;
2. remove the locking ring and the exhausted filter;
3. place the new filter onto the grid;
4. reattach the locking ring and firmly tighten the four screws;
5. repeat the above steps for the second filter. Both filters are symmetrical and can be inserted in either direction.